

# T1 Electric

Fully Electric. Fully Restored.



We manufacture fully restored Volkswagen T1 buses as a fully electric version. The T1 combines a timeless design with sustainable technology and is ideal for use as a promotional or event vehicle.

## — Eye-catching design & sustainable image

The VW T1 is an icon with cult status and provokes emotions in almost every viewer. Its retro look in combination with state-of-the-art electrical technology ensures maximum attention – ideal for branding and advertising. Companies that use it as an advertising vehicle can underline their ecological responsibility and position themselves as pioneers for sustainable mobility.

## — Quiet, emission-free and flexible in use

Emission-free driving enables use in urban areas, pedestrian zones or at events in city centres – places where classic vehicles often have restrictions. The low-noise electric drive increases comfort and ensures a positive perception.

## — Low maintenance and easy operation

The electric drive enables intuitive and uncomplicated handling, even for inexperienced drivers.

Less maintenance due to fewer mechanical components compared to combustion engines: no oil changes, fewer wear parts and easier technical support.

New parts guarantee worry-free service life.

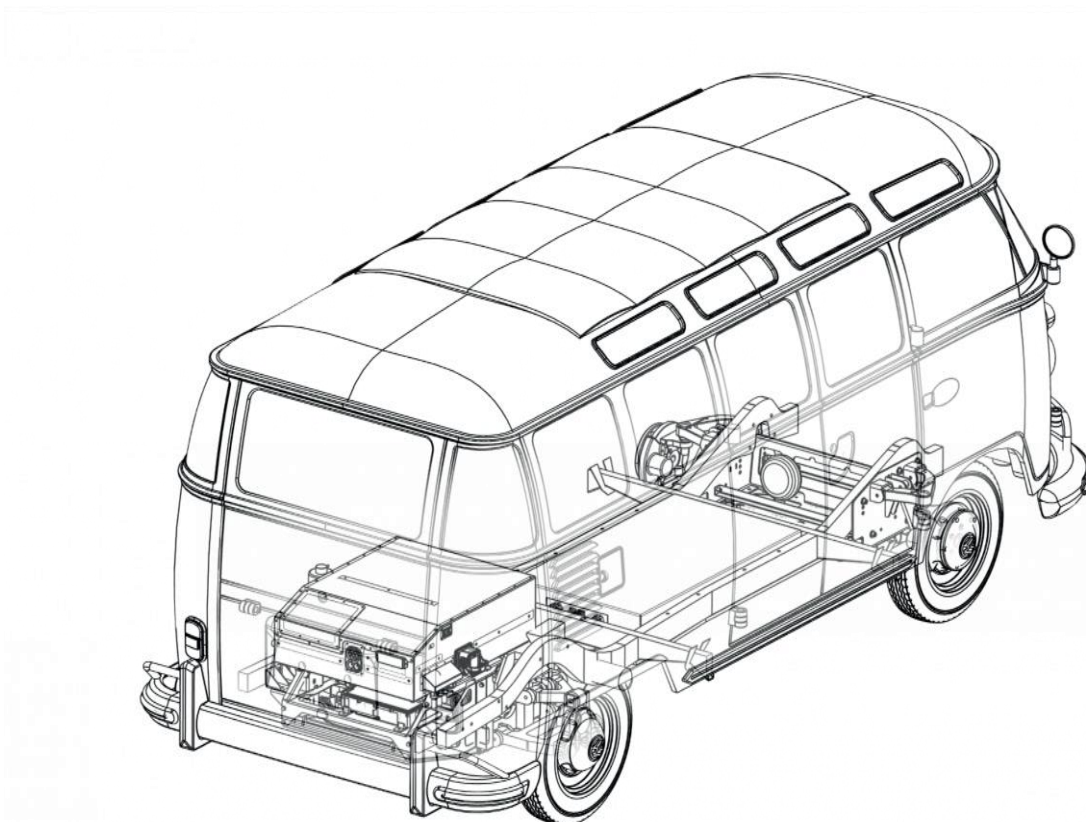
## — Adaptability

The VW T1 can be individually tailored to the needs of the advertiser: body shape: panel van for large advertising spaces, bus for inviting branding, Samba for lifestyle themes.

Custom paint and branding: Perfect platform for eye-catching designs or logos.

Interior design: Can be designed as a mobile exhibition platform, sales stand or lounge.

230V connections: Operate coffee machines, laptops, sound systems or even screens at trade fairs or events.



## T1 Electric Specs

**60 kW**

Power

**10 s**

Acceleration (0-100 km/h)

**130 km/h**

Max. Velocity

**200 Nm**

Max. Torque



**300 km**  
Range



**70 kw**  
CCS  
Charging



**7 kw**  
AC  
Charging



**400 V**  
Operating voltage



**54 kWh**  
Battery capacity



**1430 kg**  
Weight

## Vehicle features:

Available body shapes:

VW T1 Type 2 Box with hinged Door

VW T1 Type 2 Samba with hinged door, trim strips, skylights, soft top

VW T1 Type 2 Flatbed

## Standard features:

Newly built body with high-quality new parts, KTL-coated

Custom paint

Modern chassis made of CNC-milled aluminium:

Double wishbone suspension

4x disc brakes

Rack and pinion steering

Electric power steering

Brake booster

Radio in retro look with Bluetooth & USB socket

Instrumentation in analogue retro look

230V output: single-phase

Leather front seats

True-to-the-original rims with hubcaps

TÜV (German technical inspection) approval according to §21 StvZO

## Warranty:

1 Year for commercial customers

2 years for private customers

2 years on battery









